

CANALINA DOCCIA "PRIME" IN POLIPROPILENE

Polypropylene Floor drain "PRIME"



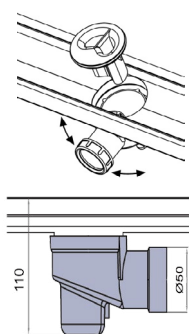
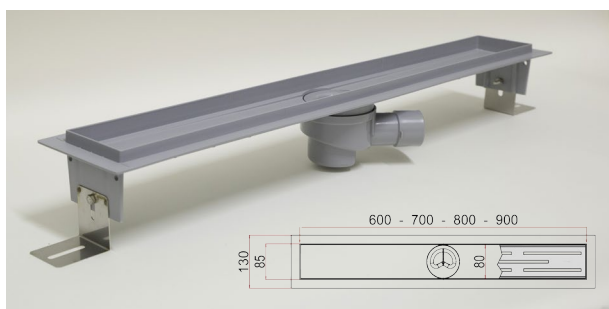
MADE IN ITALY



NEW

CANALINA MODELLO "PRIME" IN POLIPROPILENE

POLYPROPYLENE FLOOR DRAIN "PRIME"



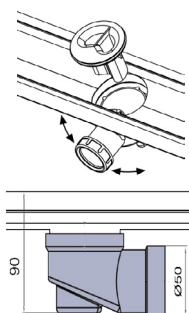
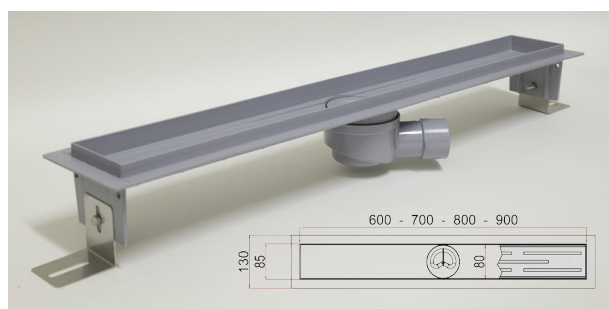
CORPO CANALINA PP SIFONE STANDARD USCITA Ø50
Only PP floor drain, standard drain Ø outlet

CDP-6-A2 600 mm

CDP-7-A2 700 mm

CDP-8-A2 800 mm

CDP-9-A2 900 mm



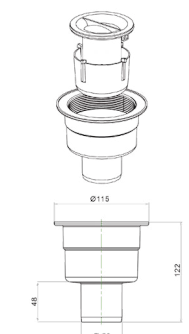
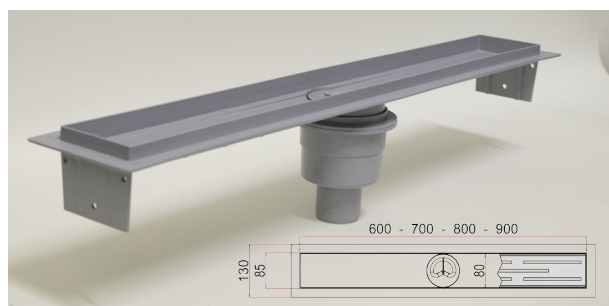
CORPO CANALINA PP SIFONE RIBASSATO USCITA Ø50
Only PP floor drain, low version drain Ø 50 outlet

CDP-6-B2 600 mm

CDP-7-B2 700 mm

CDP-8-B2 800 mm

CDP-9-B2 900 mm



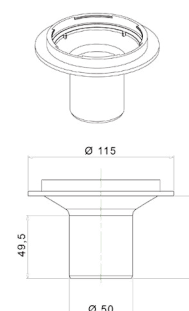
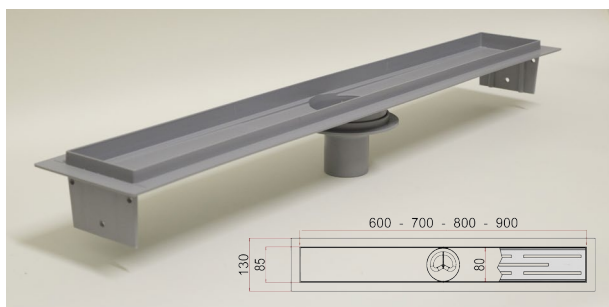
CORPO CANALINA PP SIFONE VERTICALE USCITA Ø50
Only PP floor drain, vertical drain Ø 50 outlet

CDP-6-V5 600 mm

CDP-7-V5 700 mm

CDP-8-V5 800 mm

CDP-9-V5 900 mm



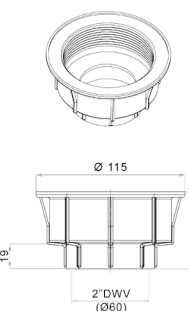
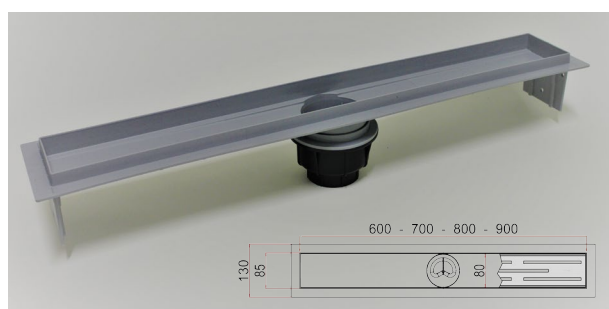
CORPO CANALINA PP IMBUTO VERTICALE USCITA Ø50
Only PP floor drain, vertical funnel Ø 50 outlet

CDP-6-IV5 600 mm

CDP-7-IV5 700 mm

CDP-8-IV5 800 mm

CDP-9-IV5 900 mm



CORPO CANALINA PP SCARICO AMERICA USCITA Ø60I
Only PP floor drain, America discharge Ø 60 internal outlet

CDP-6-V6 600 mm

CDP-7-V6 700 mm

CDP-8-V6 800 mm

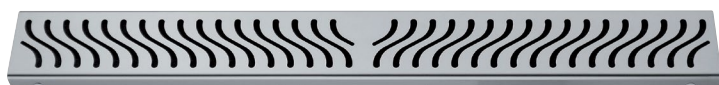
CDP-9-V6 900 mm

GRIGLIE IN ACCIAIO INOX PER CANALINA "PRIME"

STAINLESS STEEL GRID FOR FLOOR DRAIN "PRIME"

Solo griglia FUSION in acciaio inox

Only stainless steel grid FUSION



GR-046	600 mm
GR-047	700 mm
GR-048	800 mm
GR-049	900 mm

Solo griglia TESSERA in acciaio inox

Only stainless steel grid TESSERA



GR-036	600 mm
GR-037	700 mm
GR-038	800 mm
GR-039	900 mm

Solo griglia LINEA in acciaio inox

Only stainless steel grid LINEA



GR-016	600 mm
GR-017	700 mm
GR-018	800 mm
GR-019	900 mm

Solo griglia GRAFFITI in acciaio inox

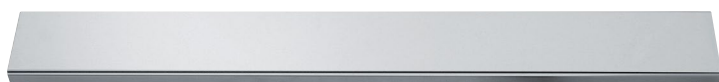
Only stainless steel grid GRAFFITI



GR-026	600 mm
GR-027	700 mm
GR-028	800 mm
GR-029	900 mm

Solo griglia MINIMAL in acciaio inox

Only stainless steel grid MINIMAL



GR-066	600 mm
GR-067	700 mm
GR-068	800 mm
GR-069	900 mm

Solo griglia TILE in acciaio inox

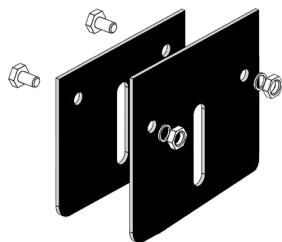
Only stainless steel grid TILE



GR-056	600 mm
GR-057	700 mm
GR-058	800 mm
GR-059	900 mm

ACCESSORI PER CANALINA "PRIME"

ACCESSORIES FOR FLOOR DRAIN "PRIME"



KIT COMPLETO PER IL MONTAGGIO MODULARE
Complete kit for modular assemblage

CD-R01



RIDUZIONE A BICCHIERE IN PP Ø50F X Ø40M
PP reducer Ø50f x Ø40m

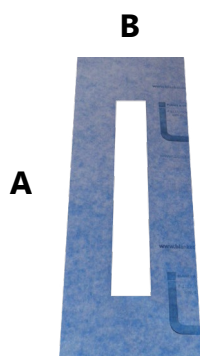
RID-5040



GUAINA IN POLIETILENE, CON DOPPIO STRATO DI TNT PER ISOLAMENTO CANALINE

Performed waterproof membrane with resistant textile for floor drain

GUA-100 cm100 x 1000



GUAINA ISOLAMENTO PREFORMATA PER CANALINA

Performed waterproof membrane for floor drain

	A	B
GUA-CD6	1100 x	420mm
GUA-CD7	1100 x	420mm
GUA-CD8	1230 x	420mm
GUA-CD9	1410 x	420mm



NASTRO BUTILICO BI-ADESIVO PER FISSAGGIO GUAINA SU CANALINA mm3000Xmm20

Butyl bouble seded tape membrane application on trench drain mm3000xmm20

NAS-3 3000X20mm